

# Tension Unit IRSE 50

## Applications

Tension unit Type IRSE 50 is intended for Driven roller conveyor Type IRFS 50.

## Description

Underslung tension unit for flat belt drive.

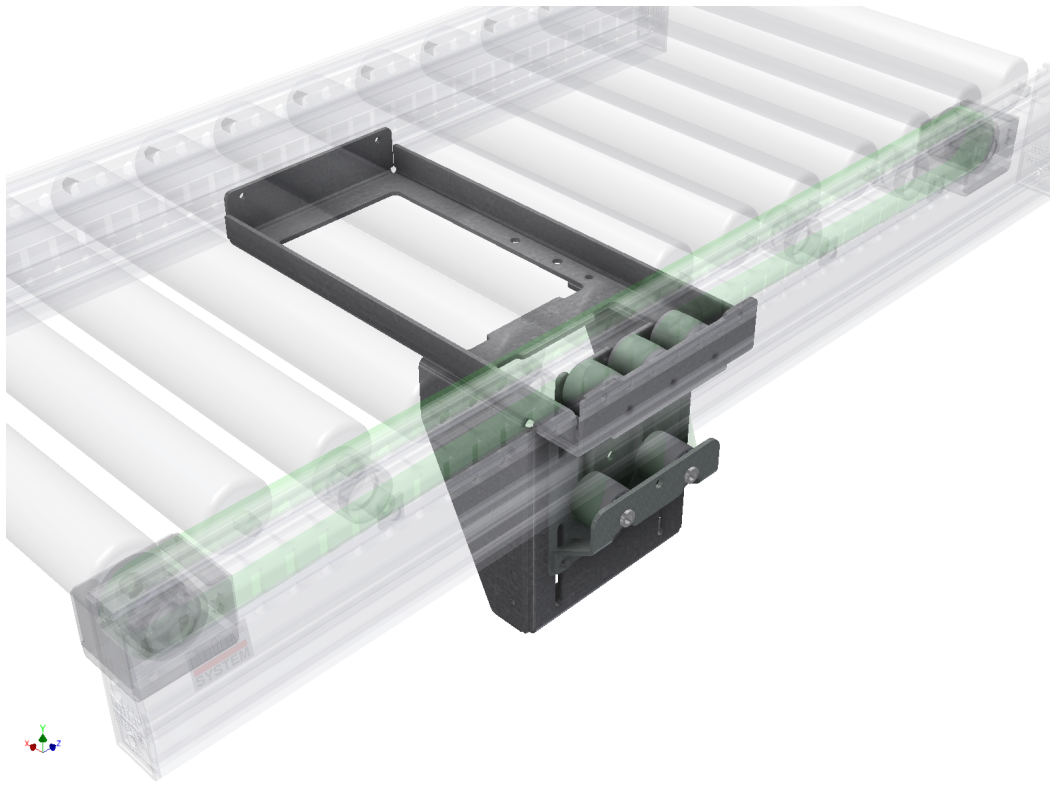
## Order example

IRSE 50 - 320

Type – EL



Tel: +46 431 44 91 00  
[info@intersystem.se](mailto:info@intersystem.se)  
[www.intersystem.se](http://www.intersystem.se)

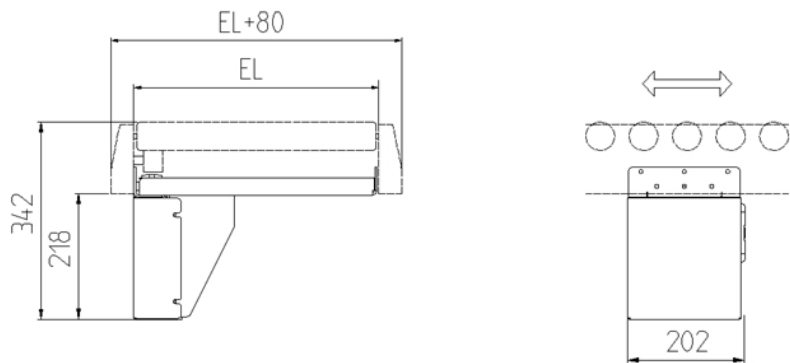


## Specification

	Material/Type	Finish
Bracket	Steel	Zinc-plated

## Technical data

Type	Roller length EL mm	Roller conveyor longer than TL=6000, use this unit.
IRSE 50 -	320 - 620	



**INTER  
SYSTEM**

Tel: +46 431 44 91 00  
[info@intersystem.se](mailto:info@intersystem.se)  
[www.intersystem.se](http://www.intersystem.se)