

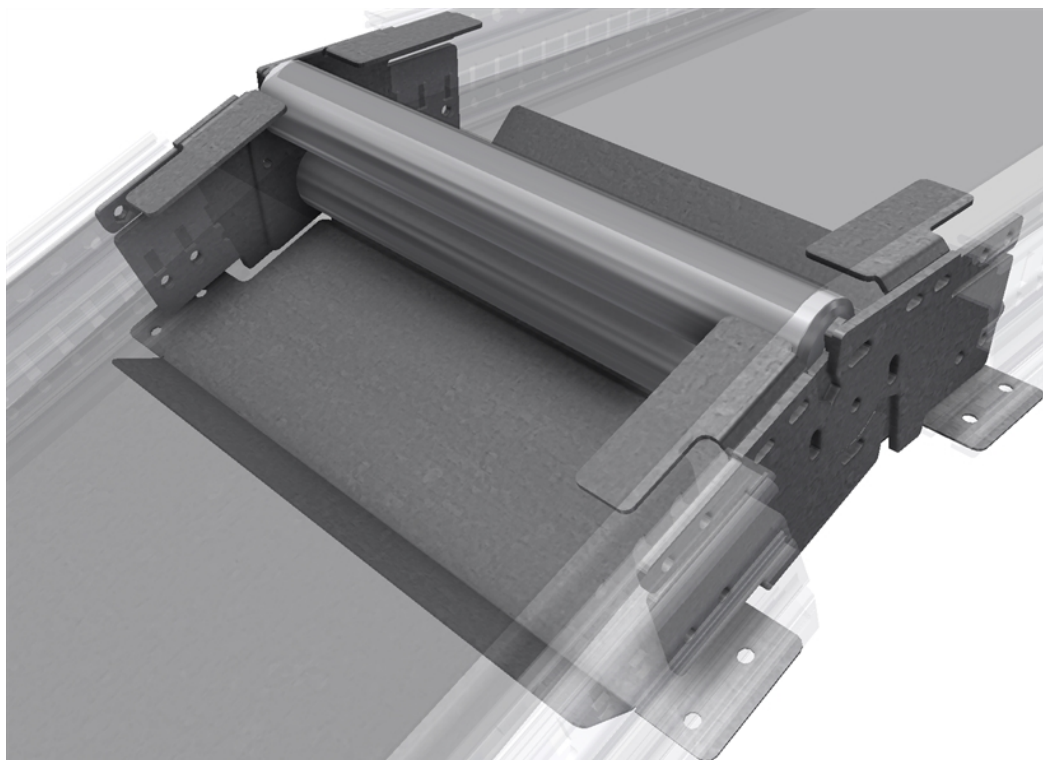
Swan-neck IBSH 50

Applications
Swan-neck Type IBSH 50 is intended for Belt conveyor Type IBGS 50 -11.

Description
Unit, with adjustable angle.

Order example

IBSH 50 – 320
Type – EL

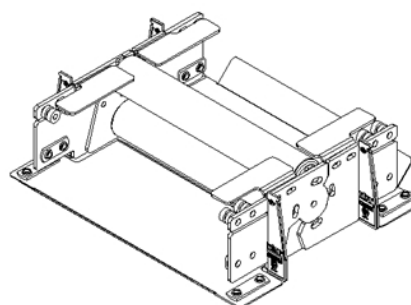


Specification

	Material/Type	Finish
Bracket	Steel	Zinc-plated

Technical data

Type	Internal width EL mm	Angle V°
IBSH 50 –	320-620	0 - -35°



INTER
SYSTEM

Tel: +46 431 44 91 00
info@intersystem.se
www.intersystem.se